

WIRING DIAGRAM

Title: Wiring diagram for door manufacturers/electricians

Document: ekey_integra_ISEO_x1R_ekeyCT

ID: 175/461/0/305 Version: 2, 13.08.2015

NOTICE

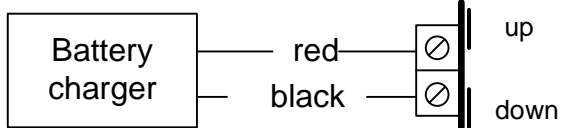
This wiring diagram is not subject to updating. Subject to optical and technical modifications, any liability for errors and misprints excluded.

⚠ DANGER

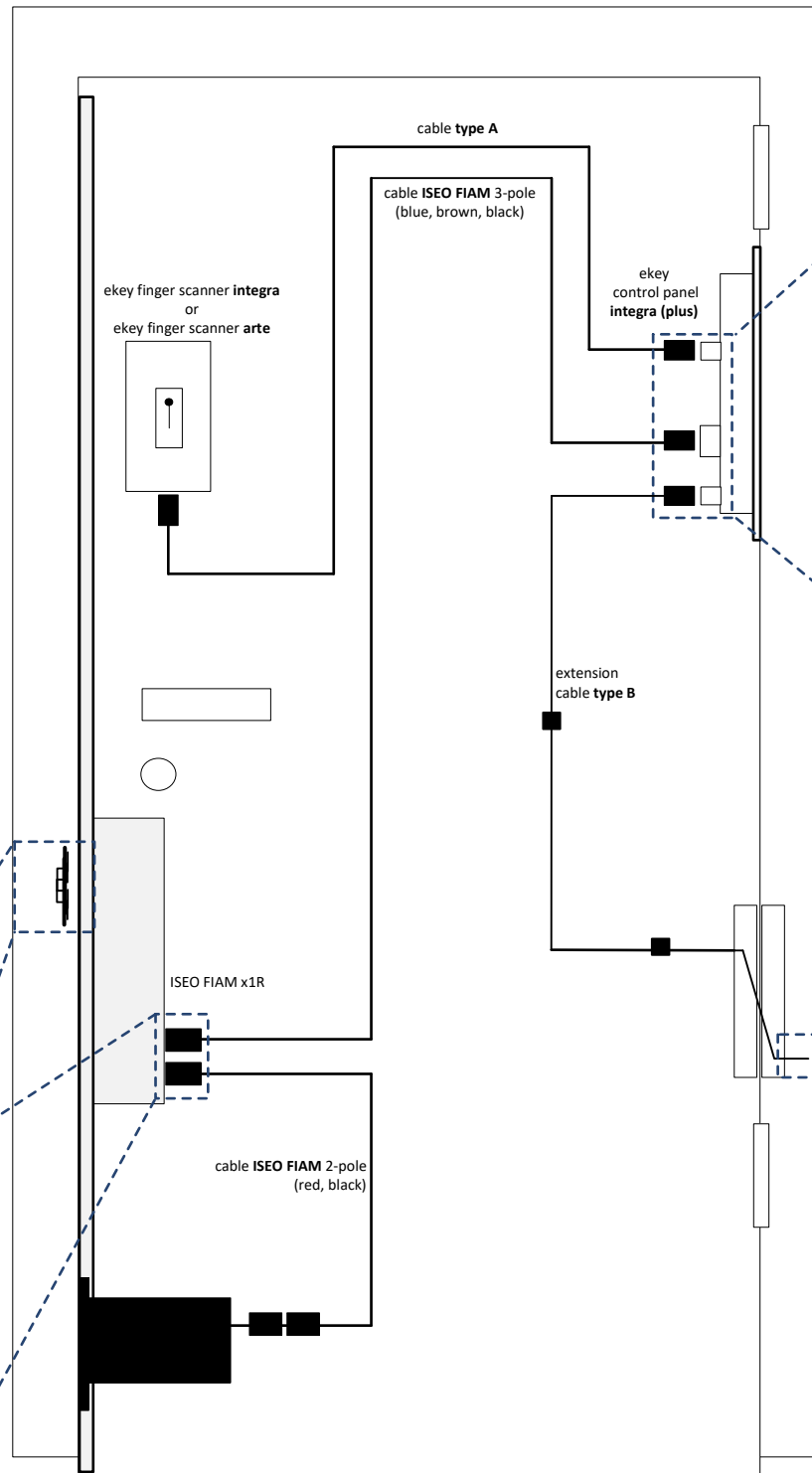
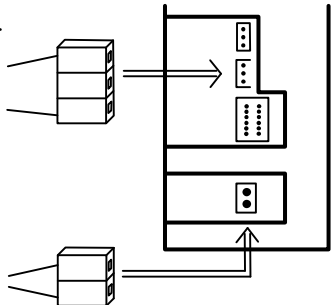
Dangerous electric voltage. Only certified electricians are authorised to carry out the electrical installation!

LEGEND

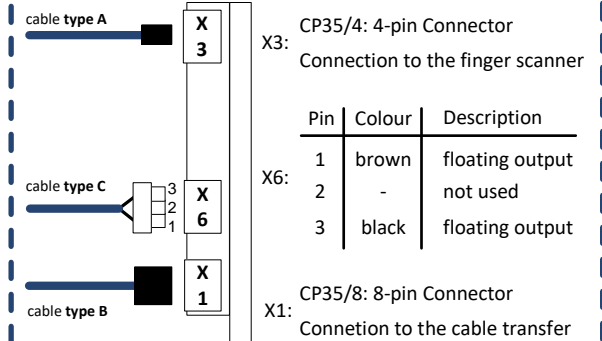
- ... Finger scanner *integra*
- ... Finger scanner *integra BT*
- ... Finger scanner *arte*
- ... Cable transfer 100 880
100 881
101 561
- ... Motorised lock ISEO FIAM x1R
- ... Battery case
- ... Control panel *integra*
- ... Control panel *integra plus*
- ... Cable connection



CONNECTION TO THE MOTORISED LOCK



CONNECTION TO THE CONTROL PANEL



NOTICE

Operation of the relay 1 has to be set to "floating" by JP1 (Position JP1: 2-3)



WIRING DIAGRAM FOR ELECTRICIANS

Cable transfer	100 88X	101 561	Description	
white	white	VDC (+8-24V)		DC Voltage source
brown	brown	GND (-)		
green	-	RS485		Data-connection to ekey home converter LAN and USB
yellow	-	RS485		Attention: No Data-connection possible with control panel <i>integra plus</i>
blue	blue	Input		Potential free request-to-exit button for manual door opening
grey	red	Input		
pink	yellow	Relay 2 C		
red	green	Relay 2 NO		Output Relay 2

NOTICE

Each unused core must be insulated separately!