

WIRING DIAGRAM

Title: Wiring diagram for door manufacturers/electricians

Document: Wiring_diagram_ekey_integra_ISEO_x1RSma
rt_ekeyKU_ID289

ID: 289/634/0/552

Version: 1, 18.09.2017

NOTICE






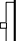
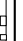

This wiring diagram is not subject to updating. Subject to optical and technical modifications, any liability for errors and misprints excluded.

⚠ DANGER

Risk of electrocution: All ekey devices are to be operated with Safety Extra Low Voltage (SELV). Only use power supplies rated protection class 2 according to VDE 0140-1.

Failure to do so will create a risk of fatal electrocution. Only certified electricians are authorized to carry out the electrical installation work!

LEGEND

-  ... Finger scanner *integra*
-  ... Finger scanner *integra BT*
-  ... Finger scanner *arte**
-  ... Cable transfer
-  ... Motorised lock
-  ... Control panel *integra*
-  ... Control panel *integra plus**
-  ... Cable connection

- 8-pin { 100 880
101 750
101 475
- 6-pin { 101 910
101 561

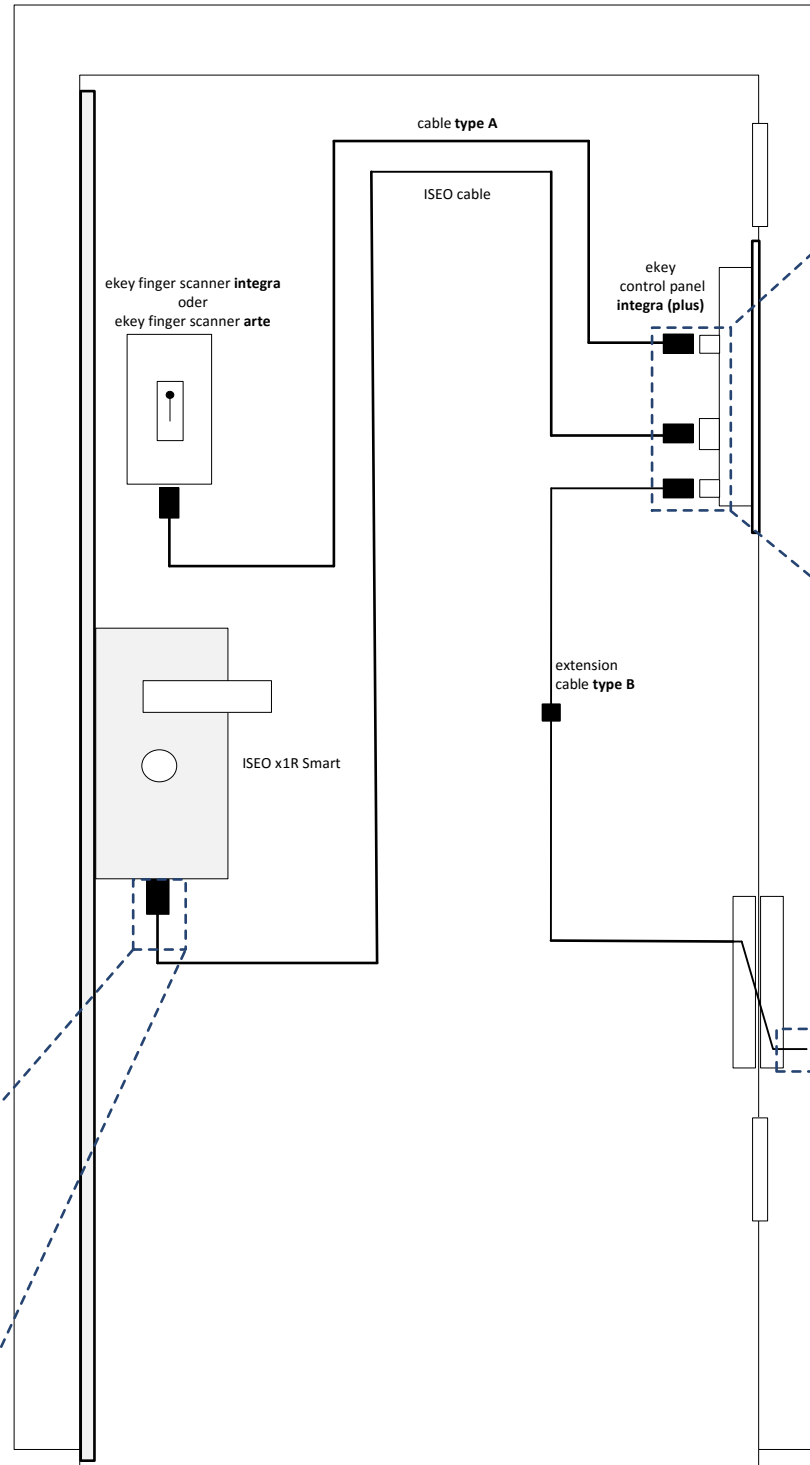
ISEO x1R Smart

*ekey FS arte only in conjunction with ekey CP *integra plus*

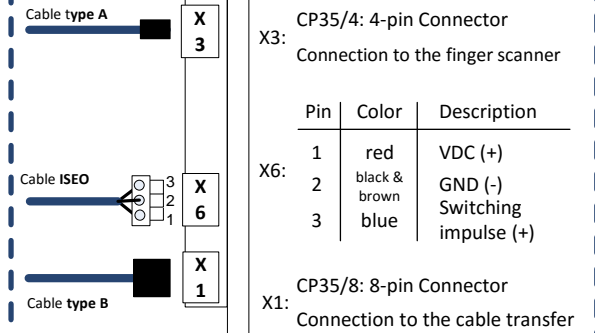
CONNECTION TO THE MOTORISED LOCK

Pin	Color	Description
1	green	GND (-)
2	orange	
3	black	
4	brown	
5	yellow	VDC (+)
6	white	
7	red	Switching impulse (+)
8	blue	

front

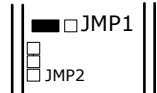


CONNECTION TO THE CONTROL PANEL

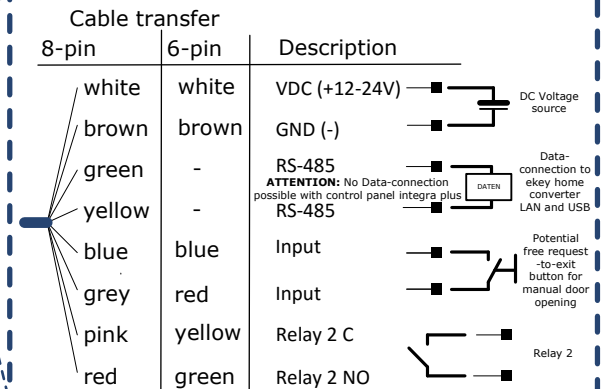


NOTICE

Operation of the relay 1 has to be set to "Switching voltage" (= Factory setting) by JP1 (Position JP1: 1-2)



WIRING DIAGRAM FOR ELECTRICIANS



NOTICE

Each unused core must be insulated separately!